



SCAN ME

www.safetylink.com



SCAN ME

Catalogue



SCAN ME

Anchor Layout Video

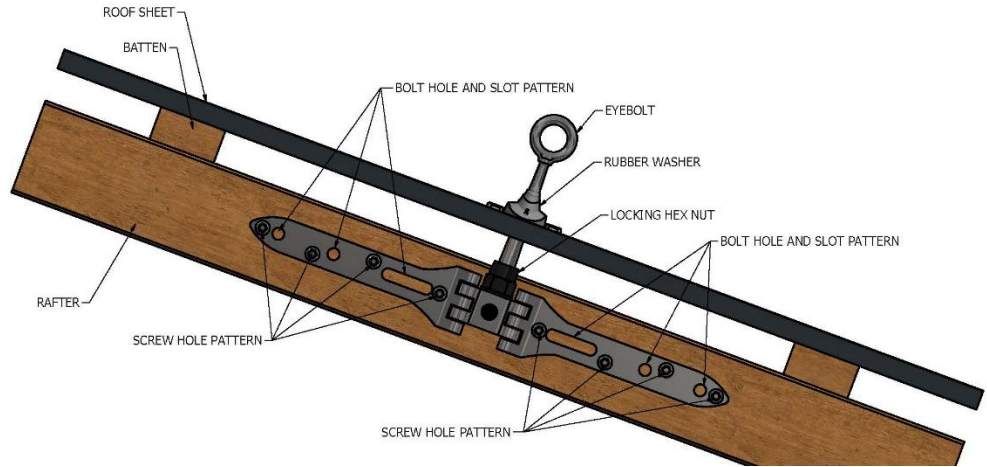
DATA SHEET



FS 70792

HINGELINK

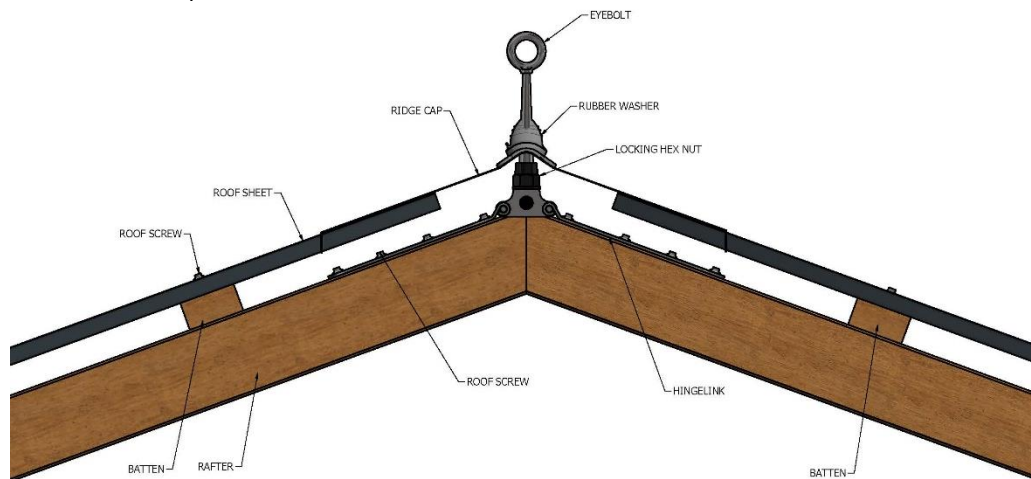
Timber Rafter Mounted Anchor



- The HingeLink is designed for use on timber structures where there is easy access to the underside of the roof.

WHAT AM I USED FOR? A height safety anchor point designed for use on metal and tile roof profiles with timber structures where there is easy access to the underside of the roof. The base of the unit is hinged enabling flexible means of attachment.

STANDARDS - Complies with AS/NZS 1891.4.



COMPLETE UNIT - PRODUCT CODE: HINGE001

Product Parts	Description	Qty	Weight (kg)	Material
WASHER 75mm Square	Rubber Hat Washer 75mm	1	0.035	316 Stainless Steel
HINGE-BASE-SS	HingeLink Base	1	0.964	316 Stainless Steel
EYEBOLT-STANDARD	Standard Eyebolt	1	0.263	316 Stainless Steel
NUT LOCKING HEX	M16 Locking Hex Nut	1	0.039	316 Stainless Steel
			1.301	

All products must be installed in accordance with SafetyLink's installation handbook, using only products supplied by SafetyLink Pty Ltd.



© 2018, SafetyLink Pty Ltd, Australia.

Patents: SafetyLink Pty Ltd has a multitude of patents, patents pending, design applications, trademarks and copyrighted documents both lodged and issued. Should you wish to know the progress of our intellectual property on a specific product please email us on ip@safetylink.com and quote the product code.

Doc ID: MKT-55 Version: 14.0

Asia-Pacific/The Americas
info@safetylink.com

Europe/Africa/Middle East
europe.sales@safetylink.com

Northern Europe
uk.sales@safetylink.com