

FROGLINK INSTALLATION HANDBOOK

EXTRACT FROM

Installation of SafetyLink Anchor Points

(Full Installation Guide available from website www.safetylink.com)

SafetyLink is an innovative anchor company achieving success and keeping you safe whilst working at heights.

- 🔑 ROOF ANCHORS
- 🔑 HORIZONTAL LIFELINES
- 🔑 PERMANENT LADDERS
- 🔑 LADDER STABILIZERS
- 🔑 TEMPORARY ANCHOR



Read entire handbook before installing SafetyLink products. All products must be installed in accordance with SafetyLink's installation handbook, using only products supplied by SafetyLink Pty Ltd. Failure to follow all warnings and instructions may result in a serious injury or death.



SafetyLink Pty Ltd
AU: 1300 789 545
INT: +61 2 4964 1068
FAX: +61 2 4964 1069
info@safetylink.com

www.safetylink.com

INSTALLATION OF SAFETYLINK FROGLINK ANCHOR

WARNINGS – READ CAREFULLY SOMEONE’S LIFE DEPENDS ON IT.....	3
MAINTENANCE – PERIODIC INSPECTIONS	3
FIXED LADDERLINK: LADDER SUPPORT BRACKET	3
SAFETYLINK ANCHORAGES	3
WARRANTIES.....	4
FROGLINK ANCHOR UNIT	5
INSPECT THE INTERGRITY OF THE STRUCTURE AND ROOF SHEETING	5
POSITIONING OF FROGLINK ANCHOR POINT (REFER TO APPENDIX DIAGRAM 2).....	5
BROWNBUILT PROFILE / (KLIIPLOK LESS THAN 2M FROM EDGE)	5
COMPONENTS	5
INSTALLATION: TO THE SURFACE OF A METAL ROOF.....	6
APPENDIX – Diagram 2 – Anchor Positioning Layout.....	7
IN CASE OF ACCIDENT	8



Install
Webinar



Installation
Guide



Video
Installation



Catalogue



www.safetylink.com
Terms/Conditions/Warranties

WARNINGS



READ CAREFULLY SOMEONE'S LIFE DEPENDS ON IT

The building or structure for the anchorages should be assessed by an engineer, unless it is clear to a competent person that the anchorages system is structurally adequate.

When installing anchor points all safety procedures must be complied with in accordance with the current safety code/s of practice/s for working at heights.

- Recommended waterproofing for roof tiles: *Sika Flex Co-Polymer Sealant*.
- Recommended waterproofing for metal roof: *Silicone Sealant*.
- All threads must be coated with Loctite prior to assembly. (IMPORTANT NOTE: Before applying Loctite 243 use Loctite 7471 primer to activate the surface according to manufacturer's instructions).
- A personal energy absorber or a fall-arrest device with a personal energy absorber must be used to connect to all SafetyLink Anchorages and (or) Strops.

MAINTENANCE – PERIODIC INSPECTIONS

All items of equipment which are in regular use shall be subjected to periodic inspection and servicing. These regular scheduled inspections and servicing must be carried out by a competent person.

FIXED LADDERLINK: LADDER SUPPORT BRACKET

ALL LADDERLINKS MUST BE INSPECTED EVERY 12 MONTHS, INSPECTIONS NEED TO BE CARRIED OUT BY A COMPETENT PERSON.

Procedures to be followed at inspection time:

- Visually inspect ladder support brackets for any signs of deterioration or the protective coating being removed. (*Note: LadderLink is made from marine grade aluminium and therefore should not corrode*).
- Ensure LadderLink is firmly secured to the structure as per SafetyLink Installation Handbook. (*refer to [Installing LadderLink](#)*).

SAFETYLINK ANCHORAGES

ALL ANCHORAGES MUST BE INSPECTED EVERY TWELVE MONTHS, INSPECTIONS NEED TO BE CARRIED OUT BY A COMPETENT PERSON.

Procedures to be followed at inspection time:

- Visually inspect anchors for signs of deterioration.
- The FrogLink/TileLink anchor point has two energy absorbing regions and two stabilising joints which hold the eyelet in place during use. If these energy absorbing regions are expanded this will indicate the anchor point has arrested a fall. Similarly if the two stabilising joints have been broken this would also indicate the FrogLink/TileLink has arrested a fall and should be replaced.
- Visually inspect the CableLink anchor point for signs that it has arrested a fall. The cable will have tightened around the rafter and the bottom fixing point will be pulled out and the anchor will need to be replaced.
- The eyebolt should remain straight, a bent eyebolt will indicate that the anchor point has arrested a fall (*The design features of the eyebolt includes the ability to bend like a fishing pole starting from the top and working its way to the bottom, enabling it to use up energy as the eyebolt bends whilst lessening the force on the person falling and the attachment point*).
- Visually inspect the components of the anchor for corrosion, superficial surface marking is permitted while deeper corrosion or pitting would require attention.
- Manually (by hand) check the eyebolt for rigidity and tightness, if the eyebolt can turn in the anticlockwise direction it will require attention.
- Visually inspect the rubber hat washer and waterproofing components to ensure it has remained sealed.
- Visually inspect the attachment component of the anchorage where practically possible.
- Visually inspect the parent structure for modifications or deterioration which might lead to loss of anchorage strength.
- Drilled in anchorages such as friction or glued-in anchorages (ConcreteLink, SandwichLink, SpacerLink) must be proof tested in accordance with AS/NZS 1891.4:2009 Clause 3.1.2(g) as part of each inspection.
- A personal energy absorber or a fall-arrest device with a personal energy absorber must be used in conjunction with all SafetyLink Anchorages and Lifeline systems.

IN ADDITION TO SAFETYLINK PTY LTD EQUIPMENT, ALL ANCILLARY EQUIPMENT MUST BE INSPECTED IN ACCORDANCE WITH APPLICABLE REGULATORY REQUIREMENTS AND THE MANUFACTURER'S INSTRUCTIONS.

**FOR MAINTENANCE ADVICE AND SERVICES PLEASE CONTACT SAFETYLINK
ON +61 249 641068 OR 1300 789545 FOR YOUR NEAREST SAFETYLINK INSPECTION SERVICE
CENTRE OR EMAIL: info@safetylink.com**



WARRANTIES

EXTRACT: SafetyLink Pty Ltd STANDARD TERMS AND CONDITIONS

- 11.1 To the extent permitted by law all implied conditions, warranties and undertakings are expressly excluded.
- 11.2 Except as provided in this clause the Company shall not be liable for any loss or damage, whether direct or indirect (including consequential losses or damage) arising out of any breach of contract by the Company or any negligence of the Company, its employees or agents.
- 11.3 Should the Company be liable for a breach of a guarantee, condition or warranty implied by the Australian Consumer Law (not being a guarantee, condition or warranty implied by sections 51, 52 and 53 of that Law) then its liability for a breach of any such condition or warranty express or implied shall be limited, at its option, to any one or more of the following.
- A) in case of Goods
- (I) the replacement of the Goods or the supply of equivalent Goods.
 - (II) the repair of the goods,
 - (III) the payment of the cost of replacing the Goods or acquiring equivalent Goods.
 - (IV) The payment of the cost of having the Goods repaired.
- Provided that any such Goods are returned to the Company by the Purchaser at the Purchaser's expense.
- B) in the case of services
- (i) the supply of the services again,
 - (ii) the payment of the cost of having the services supplied again.
- 11.4 The Company will not liable for the costs of recovery of the Goods from the field, loss of use of the Goods, loss of time, inconvenience, incidental or consequential loss or damage, nor for any other loss or damage of her than as stated above, whether ordinary or exemplary, caused either directly or indirectly by use of the Goods.
- 11.5 The Company warrants that at the time of shipment, Products manufactured by it will be free from defects in material and workmanship. In the absence of a modified written warranty, the Company agrees to making good any such defects by repairing the same or at the Company's option by replacement, for a period of (1) one year from the date of shipment. This limited warranty applies provided that:
- (a) defects have arising solely from faulty materials or workmanship;
 - (b) the Products have not received maltreatment, inattention or interference;
 - (c) **the Products have been installed in accordance with the Company's Installation Handbooks using only products supplied by the Company;**
 - (d) accessories used with the Products are manufactured by or approved by the Company ;
 - (e) the Products are maintained in accordance with Australian Standard 1891.4 (section 9).
 - (f) you notify any claim under this warranty to SafetyLink in writing to the address below no later than 14 days after the event or occurrence concerning the produce giving rise to the claim and you pay all costs related to your claim.

This warranty does not apply to any defects or other malfunctions caused to the Goods by accident, neglect, vandalism, misuse, alteration, modification or unusual physical, environment or electrical stress.

Please note that the benefits to the purchaser (as a consumer) given by this warranty are in addition to your other rights and remedies under the Australian Consumer Law. Our goods come with guarantees that cannot be excluded under the Australian Consumer Law. You are entitled to a replacement or refund for a major failure and compensation for any other reasonably foreseeable loss or damage. You are also entitled to have the goods repaired or replaced if the goods fail to be of acceptable quality and the failure does not amount to a major failure.

- 11.6 If any goods are not manufactured by the Company, the guarantee of the manufacturer thereof shall be accepted by the Purchaser as the only express warranty given in respect of the goods.
- 11.7 Except as provided in this clause 11, all express and implied warranties, guarantees and conditions under statute or general law as the merchantability, description, quality, suitability or fitness of the Products for any purpose or as to design, assembly, installation, materials or workmanship or otherwise are hereby expressly excluded (to the extent to which they may be excluded by law).

PLEASE SEE SAFETYLINK PTY LTD FULL STANDARD TERMS OF CONDITIONS OF SALE FOR FURTHER REFERENCE.



FROGLINK ANCHOR UNIT

Product Code: FROGL001

⚠ FROGLINK ANCHORS MUST NOT BE USED FOR ROPE ACCESS (ABSEILING).

⚠ MAXIMUM USER PER FROGLINK IS ONE (1) PERSON.

All safety procedures must be complied with in accordance with the current safety code(s) of practice(s) for working at heights. Ensure safety at all times during and after installation by using an appropriate height safety protection system.

INSPECT THE INTERGRITY OF THE STRUCTURE AND ROOF SHEETING

- Installation of anchors can only be made to roof sheeting strong enough to support the anchor point.
- **MINIMUM** roof sheet gauge is **0.42mm** for steel and **0.7mm** for aluminium.
- Roof sheets must be inspected thoroughly for splits, rust and corrosion damage.
- Ensure the roof sheeting and structure is secured in accordance with current Australian Building Codes.

POSITIONING OF FROGLINK ANCHOR POINT (refer to Appendix Diagram 2)

- The first FrogLink must be in a position easily and safely reached from a safe access point. Access to underside of roof is not required.
- It is recommended the FrogLink be installed to the top of the roof sheeting profile aligned with the fall of the roof, where this is not practical the FrogLink may be installed into the pan away from debris.
- Ensure FrogLink is installed between a minimum of two purlins/battens, with the roof sheeting being installed/screwed down as per manufacturers recommendations.
- FrogLink Anchors must be positioned a **MINIMUM OF 2 METRES** from the edge on Kliplok roofs.

BROWNBUILT PROFILE / (KLIPLOK less than 2m from edge)

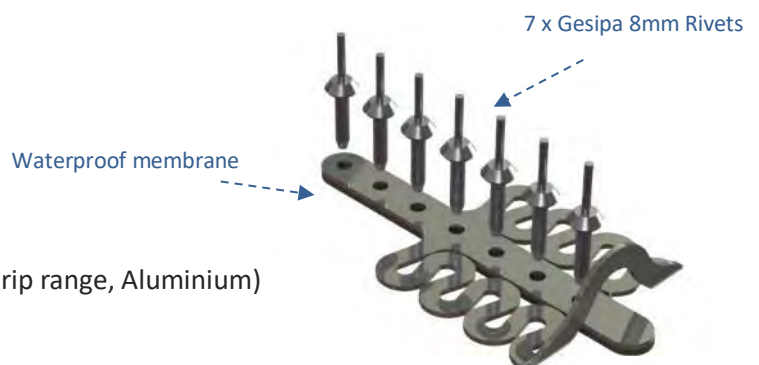
- For Brownbuilt/Kliplok roof sheeting fix the sheeting down with eight (8) 12 gauge roofing screws into the purlin/batten, four (4) above and four (4) below the FrogLink anchor.
- FrogLink is to be installed into the pan, be sure not to create an area where leaves or debris can collect.



COMPONENTS

1 x FrogLink Plate

7 x Gesipa Bulbtite Rivets RV6605-9-6W
(drill size 7.8-8.2mm, 27.7mm length, 1.0-9.5mm grip range, Aluminium)

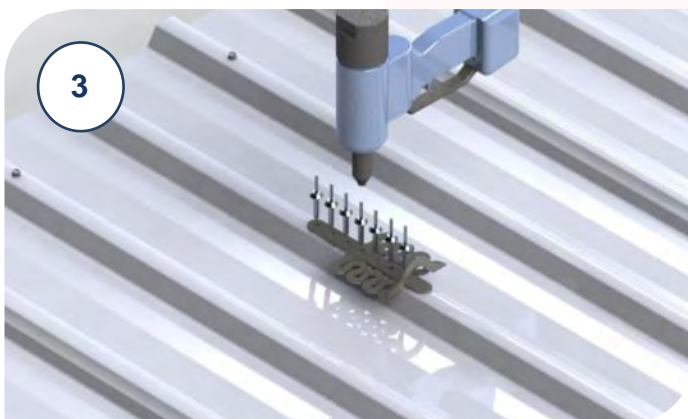


INSTALLATION: TO THE SURFACE OF A METAL ROOF

1. Place the FrogLink on the surface of the roof sheet running parallel with the sheets profile in the required location. FrogLink anchor is recommended to be installed in the top section of the profile aligned with the fall of the roof, when this cannot be achieved the FrogLink can be installed into the pan, be sure not to create an area where leaves or debris can collect.
2. Drill Seven (7) x 8mm holes into the roof sheets through the locating holes on the FrogLink.
3. Secure the FrogLink to the roof by riveting through the holes in the FrogLink Anchor and the roof sheet using 8mm Gesipa rivets. *Use QR code over for video installation.*
4. The FrogLink Anchor Point is now ready for use, giving you an anchor point to attach to while installing the next FrogLink.

Live Load on Anchors:

The FrogLink anchor is best suited to roof pitches up to 30 degrees. For over 30 degrees FrogLinks should be used in conjunction with other access methods to ensure no live loading. Note: These anchors are not abseil anchors and therefore if they are subjected to a live load this may trigger the energy absorbing regions.



- ⚠ DURING INSTALLATION YOU MUST BE SAFE AT ALL TIMES.**
- ⚠ IF ANY DOUBT EXISTS WITH THE STRENGTH OF THE STRUCTURE OR ROOF SHEETS AN ENGINEER SHOULD MAKE THE ASSESSMENT.**
- ⚠ INSTALLATION MUST BE CARRIED OUT BY, OR UNDER THE SUPERVISION OF A COMPETENT PERSON.**

APPENDIX – Diagram 2 – Anchor Positioning Layout

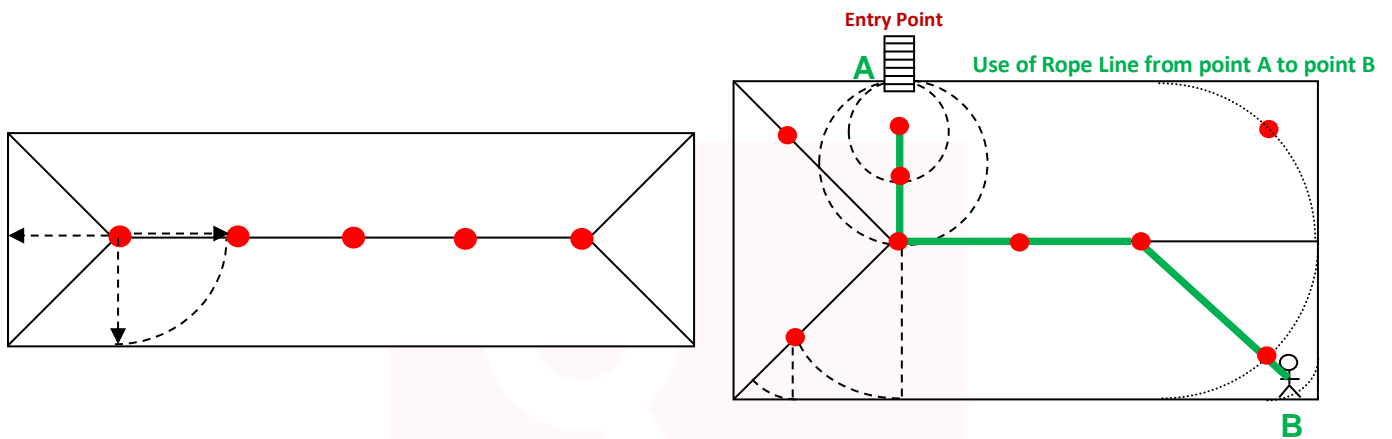
THIS IS A GUIDE ONLY

All working at heights safety procedures must be complied with when installing SafetyLink anchor points. For more information refer to your state or territories current legislation, regulations, policies and codes of practices.

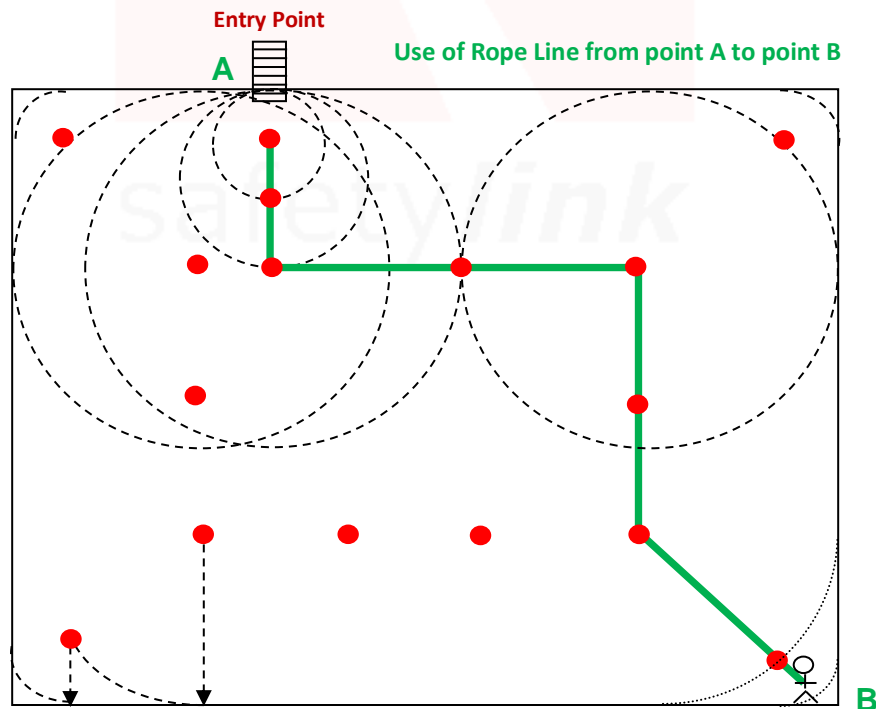
- ⚠ IF ANY DOUBT EXISTS WITH THE STRENGTH OF THE STRUCTURE OR ROOF SHEETS AN ENGINEER SHOULD MAKE THE ASSESSMENT.
- ⚠ DURING INSTALLATION YOU MUST BE SAFE AT ALL TIMES.
- ⚠ INSTALLATION MUST BE CARRIED OUT BY, OR UNDER THE SUPERVISION OF A COMPETENT PERSON.

ACCESS, LAYOUT AND USE OF A SAFETYLINK ANCHOR SYSTEM

SafetyLink anchor points are positioned by calculating the pendulum effect, this limits the likelihood of a fall past the edge of the roof space. The pendulum effect still applies to a flat roof.



SPACING MUST BE NO GREATER THAN THE RAFTER LENGTH, PLEASE CONTACT YOUR DISTRIBUTOR IF YOU ARE UNSURE.



SAFETYLINK HEIGHT SAFETY SYSTEMS MUST ONLY BE INSTALLED AS PER OUR INSTALLATION GUIDES, TO STRUCTURES AS SPECIFIED IN THE INSTALLATION MANUAL FOR EACH PRODUCT. SHOULD ANY DOUBT EXIST IN REGARDS TO THE STRUCTURES INTEGRITY AN ENGINEER SHOULD BE CONSULTED.

IN CASE OF ACCIDENT

⚠ A FALL RESCUE PLAN SHOULD BE DEVELOPED PRIOR TO USING SAFETYLINK EQUIPMENT.

⚠ PERSONS WORKING AT HEIGHTS SHOULD NOT WORK ALONE.

It is critical that before using any SafetyLink Systems a fall rescue plan is in place for any persons suspended mid-air following a fall. Serious injury or death can occur in a matter of minutes, particularly if a person's movement or breathing is restricted or loss of consciousness has occurred. In accordance with your fall rescue plan and appropriate first aid procedures it is essential to remove the person from the suspended position as quickly as possible.

IN ACCORDANCE WITH AS/NZS 1891.4:2009 CLAUSE 9.5

EQUIPMENT WHICH HAS ARRESTED A FALL OR SHOWS A DEFECT

Any piece of equipment including both personal and permanently installed items, which has been used to arrest a fall or which shows any defect during operator or periodic inspection shall be withdrawn from service immediately and a replacement obtained if necessary. A label indicating the condition or defect should be attached to the equipment, and it should be examined by a competent person who will decide whether the equipment is to be destroyed or repaired if necessary and returned to service. In the latter case, details of any repair shall be documented and a copy given to the operator.



DISTRIBUTOR:

SafetyLink Pty Ltd | ABN 83 081 777 371

Phone: 1300 789 545 or +61 2 4964 1068 | Fax: 1300 738 071 or +61 2 49641069

info@safetylink.com | www.safetylink.com

